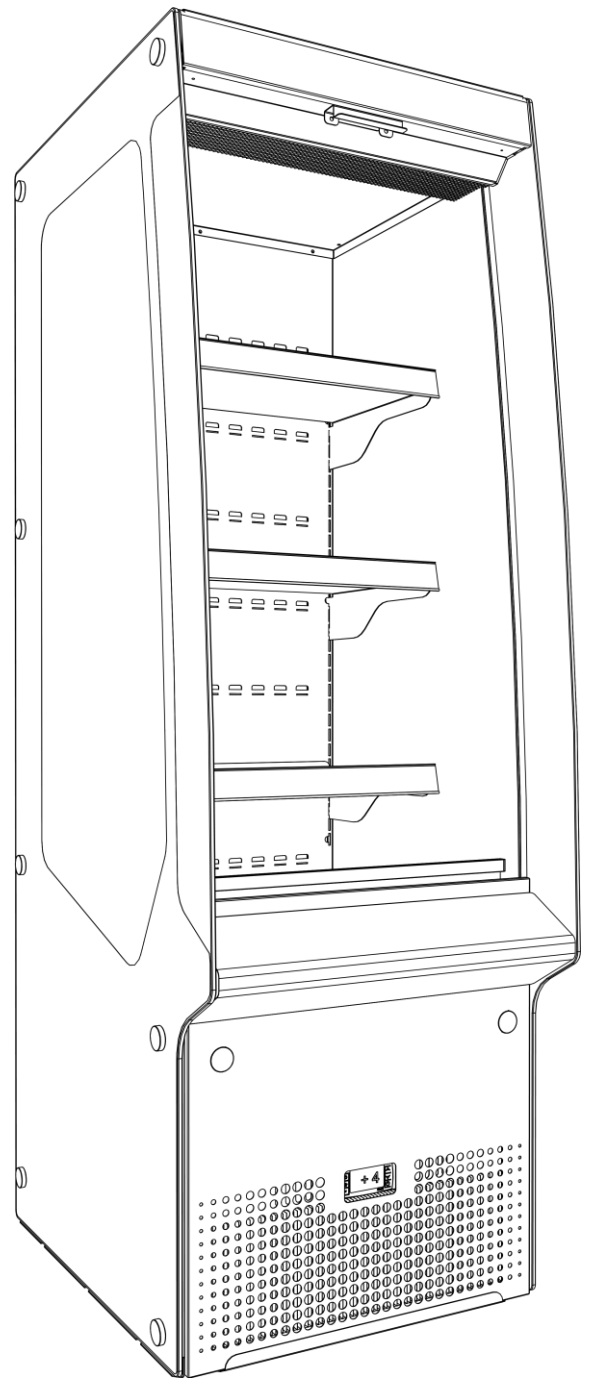


AVO

series™

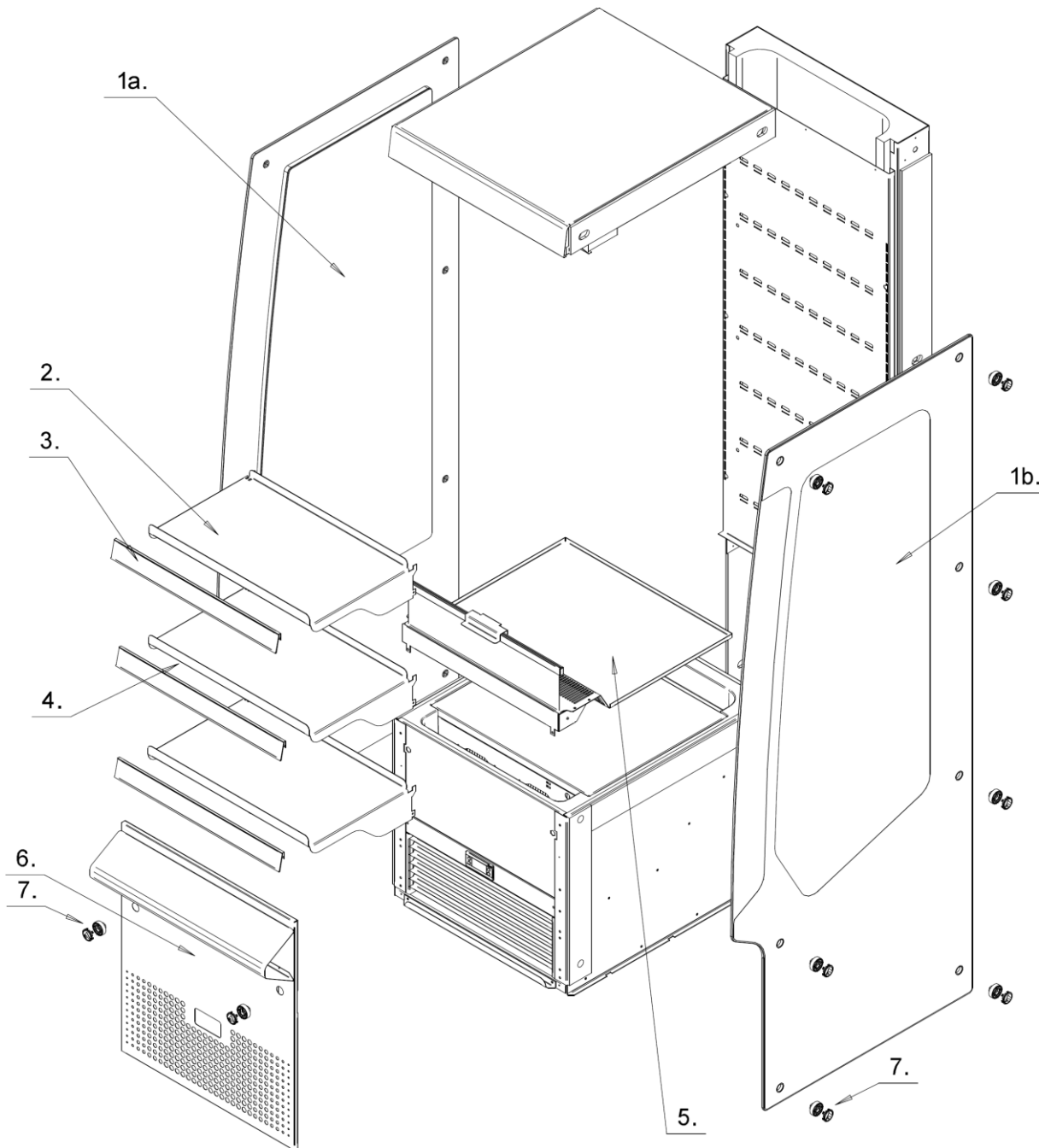
Service Catalogue

AVO Harmony® 170-54



AVO Harmony® 170-54

Exploded View



AVO Harmony® 170-54

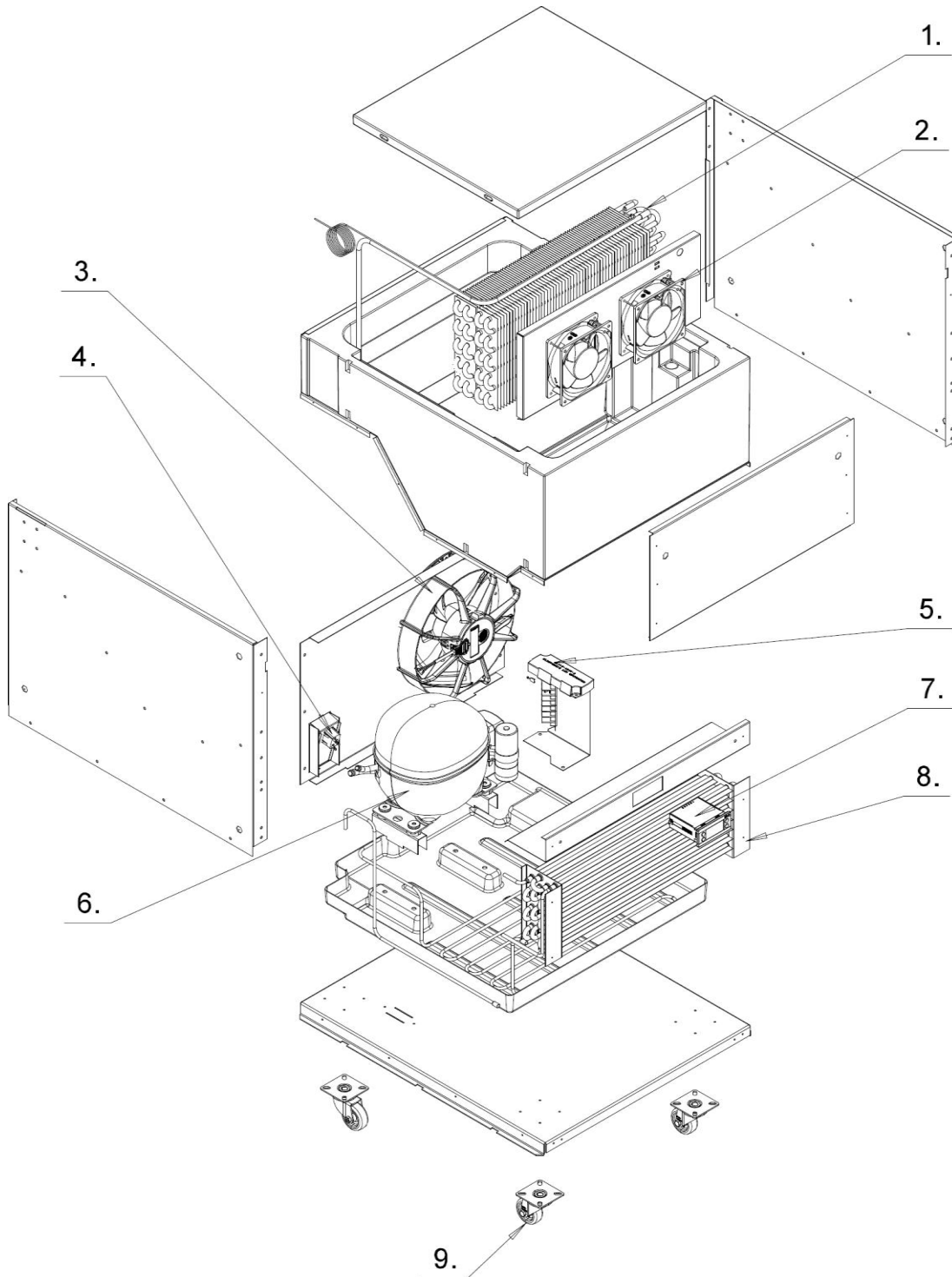
Spare Part List*

No	Code	Item		
1a	250-0039	Side element, left	1	Pcs
1b	250-0038	Side element, right	1	Pcs
2	431-0001	Shelf	3	Pcs
3	300-0055	Price tag 463mm	3	Pcs
4	120-0021	Led light	4	Pcs
5	V20-0006	Bottom plate include curtain	1	Pcs
6	V20-0005	Front grill include insulation	1	Pcs
7	200-0090	Mounting knob	16	Pcs

*The minimum period during which spare parts, necessary for the repair of the appliance is 8 years after placing the last unit of the model on the market.

AVO Harmony® 170-54 Cassette

Exploded View



AVO Harmony® 170-54 Cassette

Spare Part List*

No	Code	Item		
1	102-0006	Evaporator	1	Pcs
2	107-0001	Fan motor 230V	2	Pcs
3	107-0006	Fan motor 230V	1	Pcs
4	110-0003	Connection plug	1	Pcs
5	120-0017	Led power suply 15W 12V	1	Pcs
6	101-0026	Compressor Danfoss NLE11	1	Pcs
6.1	101-0026-1	Starting relay	1	Pcs
7	106-0015	Timer Danfoss ERC112C	1	Pcs
8	103-0012	Wing tube Condenser	1	Pcs
9	710-0002	Wheel rotating	4	Pcs
	110-0001	Power cord 3,0m type E+F		
	110-0059	Power cord 3,0m type G (UK)		

*The minimum period during which spare parts, necessary for the repair of the appliance is 8 years after placing the last unit of the model on the market.

AVO Harmony® 170-54 Wiring Diagram

