

# AVO

series™



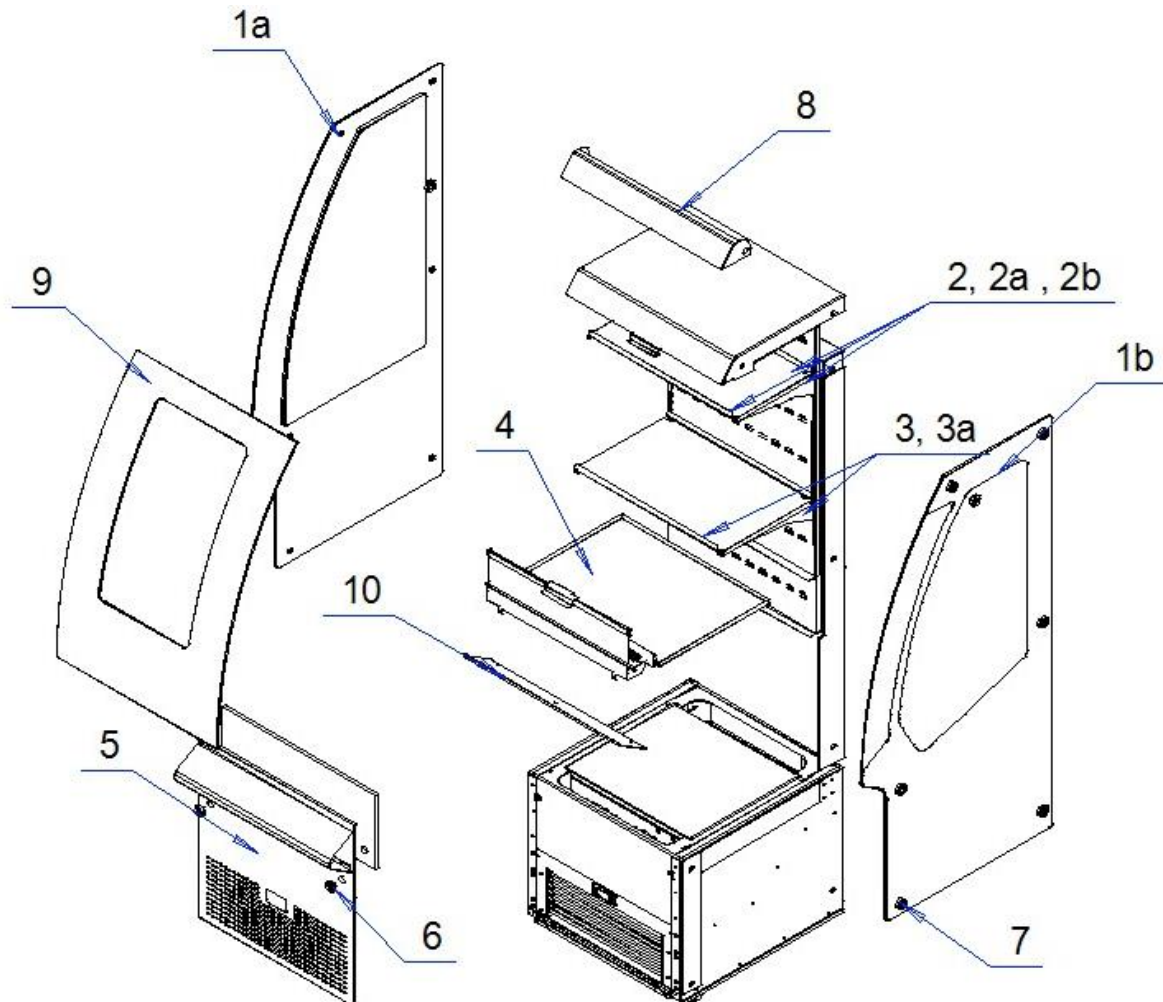
## Service Catalogue

---

*AVO Harmony*® 135-60

# AVO Harmony® 135-60

## Exploded View



# AVO Harmony® 135-60

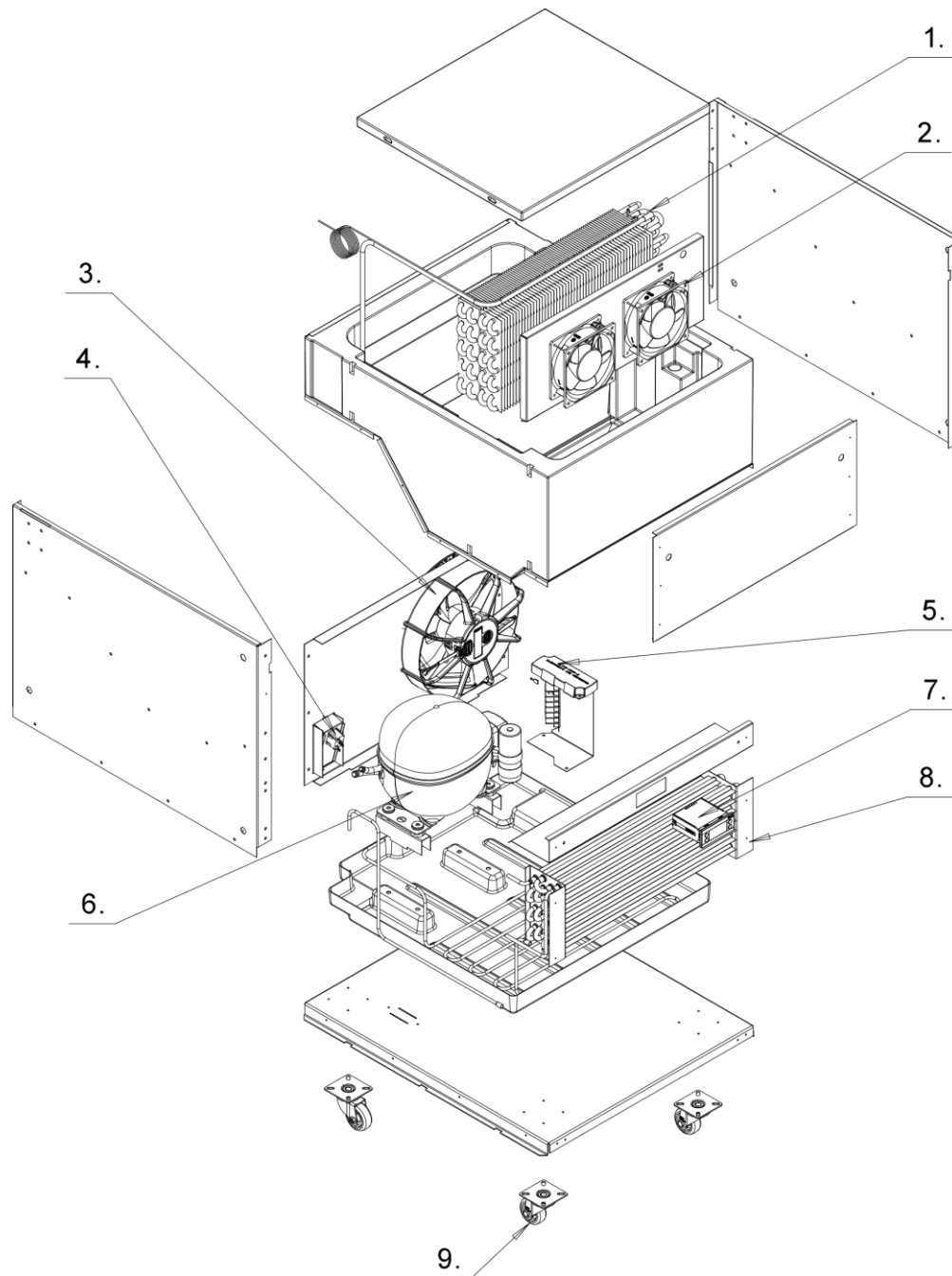
## Spare Part List\*

1a	250-0034	Side glass element, left	1
1b	250-0033	Side glass element, right	1
2	433-0056	Shelf plate upper	1
2a	431-0011	Upper shelf holder	2
2b	300-0067	Price tag L=527mm	2
3	433-0055	Shelf plate lower	1
3a	431-0010	Lower shelf holder	2
4	V20-0002	Bottom plate include curtain	1
5	V20-0001	Front grill include insulation	1
6	200-0090	Mounting ferrule for side glass	12
7	200-0090	Mounting ferrule for front grill	2
8	433-0064	ECO frame upper list	1
9	200-0151	ECO frame	1
10	433-0065	ECO frame lower list	1
	120-0021	Led lightning	3

\*The minimum period during which spare parts, necessary for the repair of the appliance is 8 years after placing the last unit of the model on the market.

# AVO Harmony® 135-60

## Cassette Exploded View



# AVO Harmony® 135-60

## Cassette Spare Part List\*

No	Code	Item	Pcs / product
1	102-0006	Evaporator	1
2	107-0001	Evaporator fan	2
3	107-0006	Condenser fan motor	1
4	110-0003	Connection plug	1
5	120-0017	Led-power SLT15-12VF	1
6	101-0026	Compressor NLE11MN	1
6.1	101-0026-1	Starting relay	1
7	106-0015	Controller Danfoss ERC112C	1
8	103-0012	Condenser	1
9	710-0002	Wheel rotating	4

\*The minimum period during which spare parts, necessary for the repair of the appliance is 8 years after placing the last unit of the model on the market.

# AVO Harmony® 135-60 Wiring Diagram

